

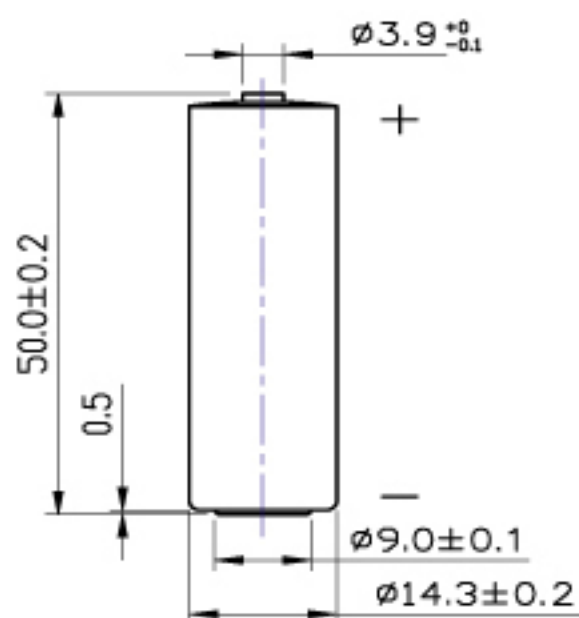
SPECIFICATIONS

(Typical values for batteries stored at 20 °C for one year)



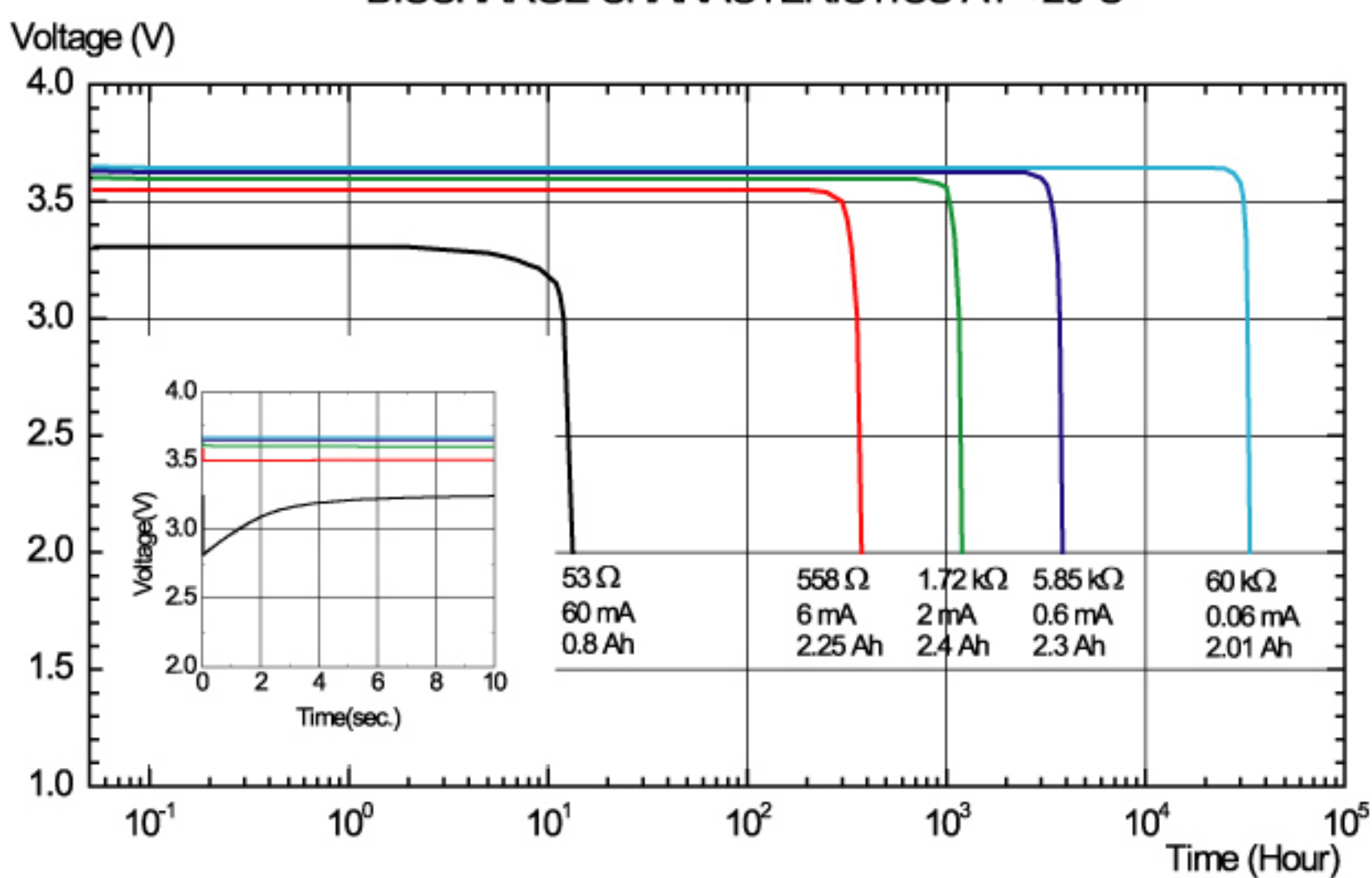
Nominal Capacity (At 2 mA/20 °C/68 °F/2.0V Cut-Off)	2.4 Ah
Open Circuit Voltage (At 20 °C/68 °F)	3.67 V
Nominal Voltage (At 2mA/20 °C/68 °F)	3.6 V
Maximum Continuous Current	100 mA
Maximum Pulse Current Capability	200 mA
Operating Temperature Range	-55 ~ 85 °C
Weight	17.0 g (0.60 oz)
Anode Surface Area	14 cm ²
Volume	8.0 cm ³
Diameter (Max)	14.5 mm
Height (Max)	50.5 mm

DIMENSIONS IN MM

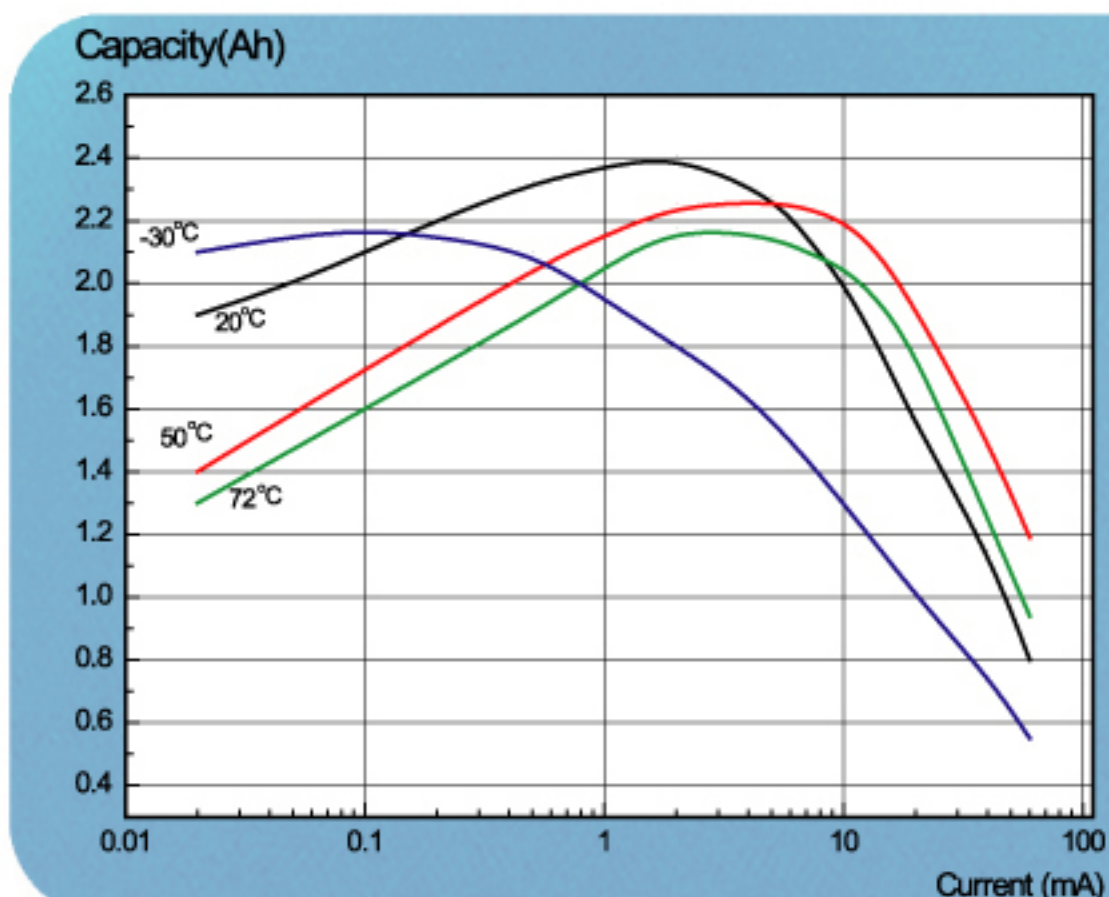


WARNING
 Fire, Explosion And Severe Burn Hazard.
 Do Not Recharge, Crush, Disassemble,
 Heat Above 212°F(100°C), Incinerate
 Or Expose Contents To Water

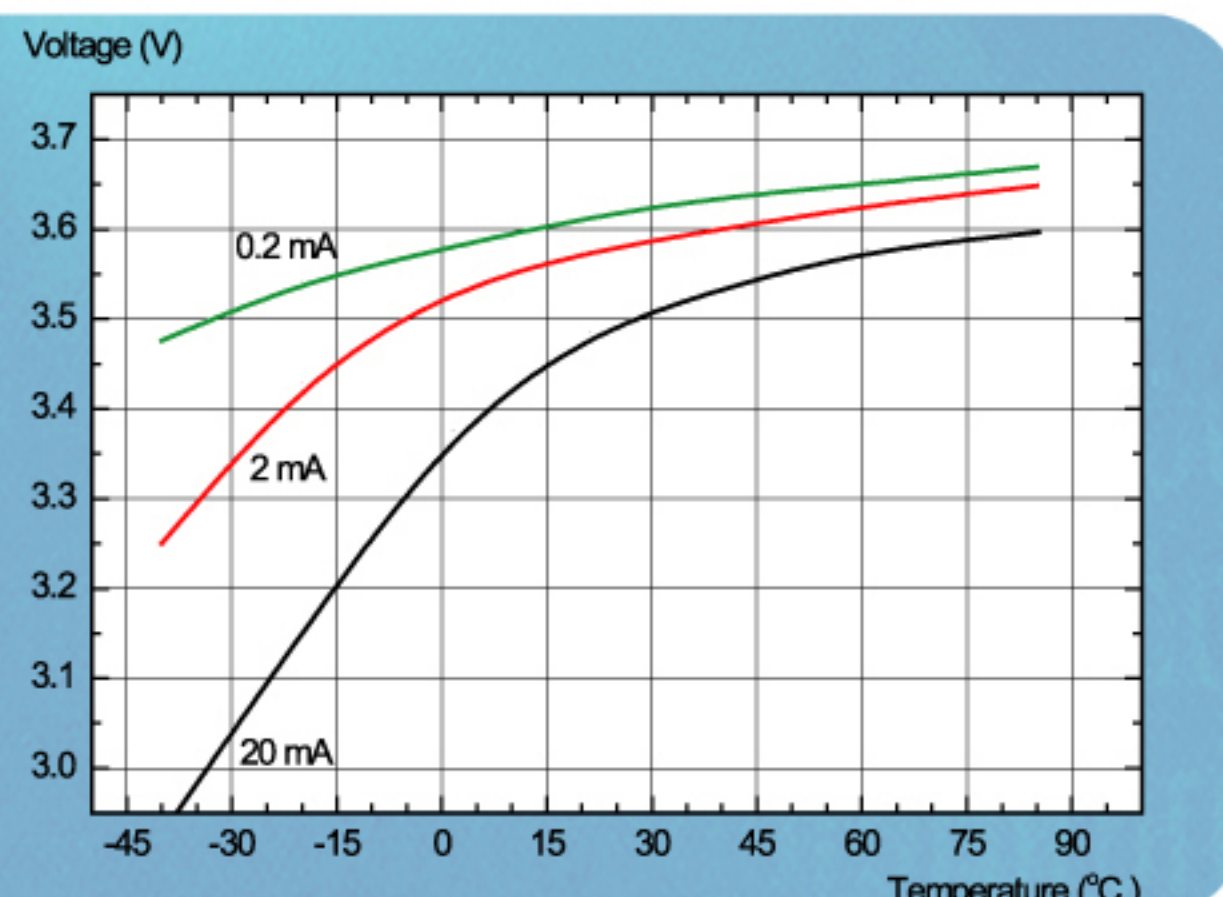
DISCHARGE CHARACTERISTICS AT +20°C



CAPACITY VS. CURRENT



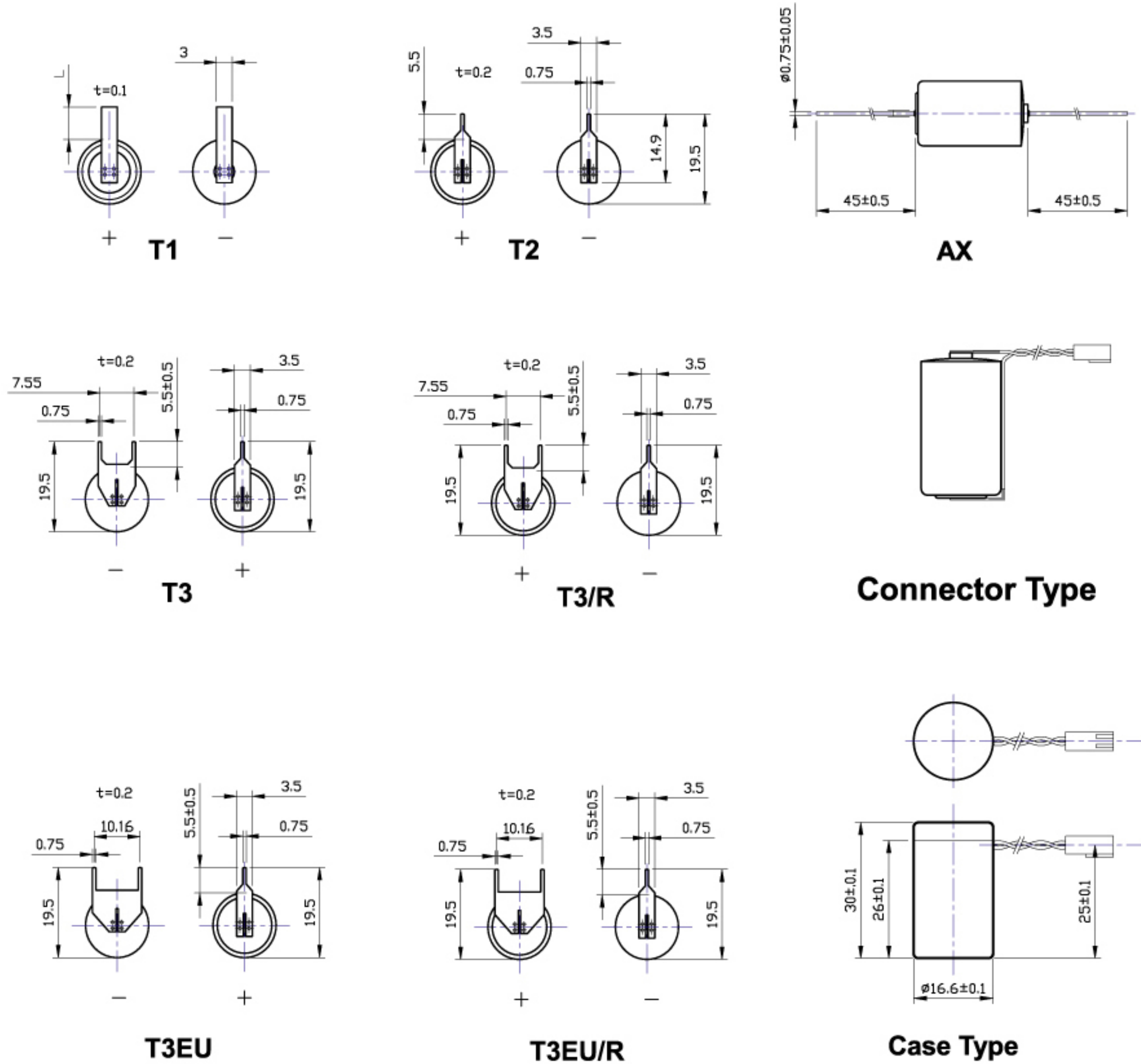
OPERATING VOLTAGE



XenoEnergy Lithium Battery

Terminals

(Unit : mm)



Model	T1/L(mm)	T2	T3 & T3/R	T3EU & T3EU/R	AX	Connector Type	Case Type
XL-050F	○/(7±0.5)	○	○	○	○	○	○
XL-050H	○/(7±0.5)	○	○	○	○	○	○
XL-055F	○/(7±0.5)	○	○	○	○	○	
XL-060F	○/(7±0.5)	○	○	○	○	○	
XL-060H	○/(7±0.5)	○	○	○	○	○	
XL-140F	○/(16±1)				○	○	
XL-145F	○/(16±1)				○	○	
XL-200F	○/(16±1)				○	○	
XL-205F	○/(16±1)				○	○	
XL-210F					○		